



Specification

1. Product Pictures.....	P2
2. Overall dimensions.....	P3
3. Product features.....	P4
4. Technical parameters.....	P5
5. Installation drawing.....	P6
6. Application area.....	P6
7. Attention	P7
8. Warning.....	P7

1. Product Pictures



Recessed 2.5inch Downlight 9W Nickel/White



Flat 2.5inch Downlight 9W Nickel/White

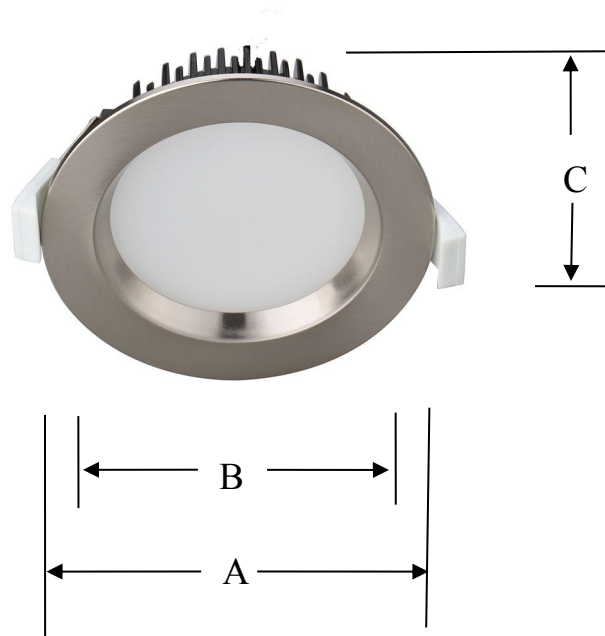


Recessed 3inch Downlight 12W Nickel/White



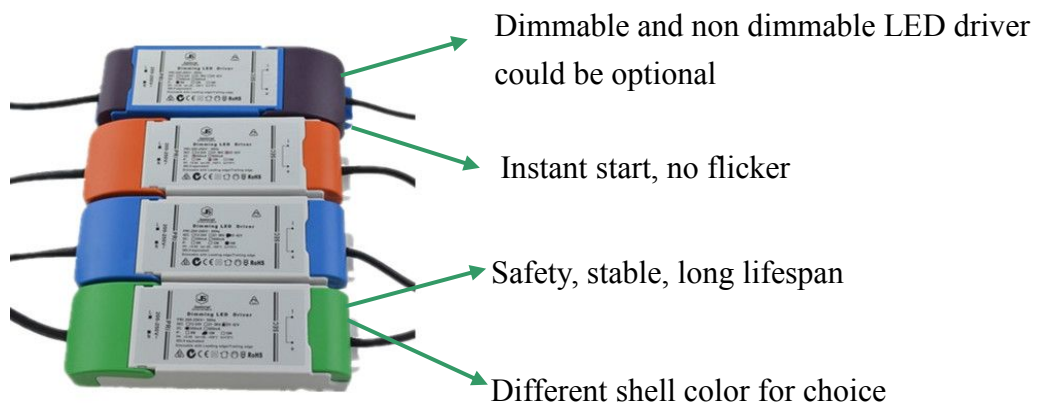
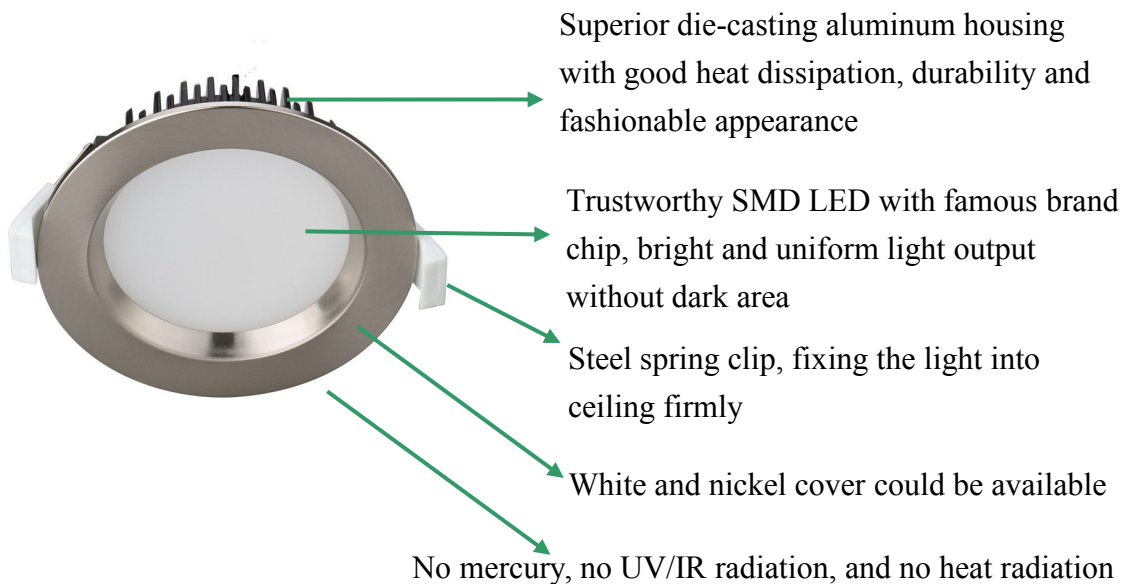
Flat 3inch Downlight 12W Nickel/White

2. Overall Dimensions



Items	A Diameter(mm)	B Cutout(mm)	C Height(mm)
Recessed 2.5inch(9W)	85	70	40
Flat 2.5inch (9W)	85	70	31
Recessed 3inch (12W)	108	90	40
Flat 3inch(12W)	108	90	31

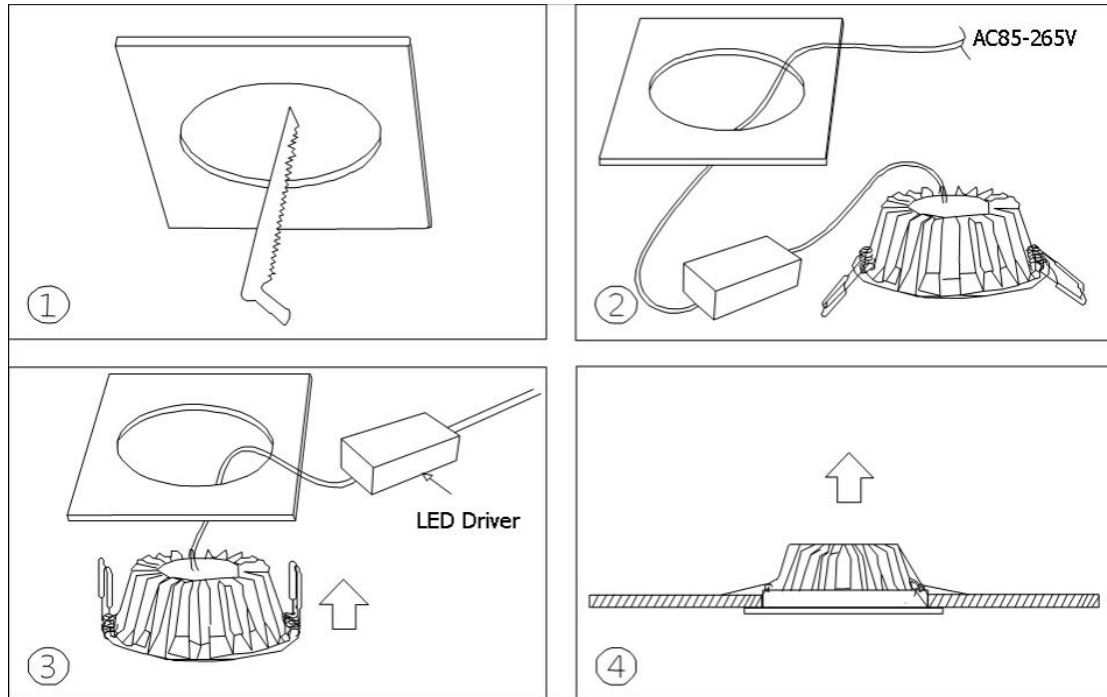
3.Product Features



4. Technical Parameters

Items	Recessed 2.5inch 9W	Flat 2.5inch 9W	Recessed 3inch 12W	Flat 3inch 12W
Model No.	JX-TH688P9W	JX-THF688P9W	JX-TH688P12W	JX-THF688
Input Voltage	85-265VAC	85-265VAC	85-265VAC	85-265VAC
Power	9W ±10%	9W ±10%	12W ±10%	12W ±10%
Dimmable	Optional	Optional	Optional	Optional
Luminous Flux	800Lm±10%	800Lm±10%	1050Lm±10%	1050Lm±10%
Luminous Efficiency	≥80Lm/W	≥80Lm/W	≥80Lm/W	≥80Lm/W
Color Temperature	2500-7000K	2500-7000K	2500-7000K	2500-7000K
Rendering Index	≥80	≥80	≥80	≥80
LED Type	2835 SMD	2835 SMD	2835 SMD	2835 SMD
Cover Color	White/Nickel	White/Nickel	White/Nickel	White/Nickel
Beam Angle	120 degrees	120 degrees	120 degrees	120 degrees
IP Standard	IP44	IP44	IP44	IP44
Warranty	3 years	3 years	3 years	3 years

5. Installation drawing



6. Application area:



Hotel, Exhibition, Hospital, Stores, Library, School, Convenience stores, Bank, Airport, Office lighting, Museum, Home

7. Attention

1. Please handle with care when transportation.
2. Don't use in the place with corrosive, flammable and explosive materials.
4. Don't use in the place near heat source.
5. Please insure all the joint could be connected correctly and reliably.
6. Don't open product cover without permission.
7. Please disconnect the power before installation or maintenance.
8. Environment temperature: $-20\sim 60^{\circ}\text{C}$.
9. Storage temperature: $-40\sim 85^{\circ}\text{C}$.

8. Warning

1. The lamp should be installed and disassembled by qualified electrician.
2. Please read and observe operating instruction before installation.
3. Please insure that the lamp has been cooling and the power has been disconnected before installation, maintenance and replacement.
4. Please switch on the power after confirmation of correct installation.
5. Please insure ventilation around the lamp and don't use the lamp against of fire regulation.
6. Please don't disassemble and assemble the lamp personally.
7. Please consult qualified engineer if you have any doubt.